

Stáisiún Uí Chonghaile, Baile Átha Cliath 1, D01 V6V6

Connolly Station, Dublin 1, D01 V6V6

T 01 703 4293 E foi@irishrail.ie W www.irishrail.ie



11th July 2022

[REDACTED]

Email: [REDACTED]

Re: Response IE_FOI_592

Dear [REDACTED]

I refer to your request dated 12th May 2022 made under the Freedom of Information Act 2014, which was received by my office on that date, for records held by Iarnród Éireann.

Request:

- 071 Class locomotive livery diagram (showing how the locomotives should be painted and the application of logos and decals)
- 2600, 2700, 2800 Class railcar livery diagrams
- Brunel Positive and Negative fonts, Nexus Sans fonts

Response:

I, Annette Reilly, Decision Maker have now made a final decision to Grant your request on 21st June 2022..

Rights of appeal

In the event that you are not happy with this decision you can make an appeal in relation to this matter, you can do so by writing to the FOI Unit, Corporate Communications, Iarnród Éireann Irish Rail, Connolly Station, Amiens St, Dublin 1 or by e-mail to foi@irishrail.ie. You should make your appeal within 4 weeks (20 working days) from the date of this notification, where a day is defined as a working day excluding, the weekend and public holidays, however, the making of a late appeal may be permitted in appropriate circumstances.

The appeal will involve a complete reconsideration of the matter by a more senior member of the staff of this body.

Should you have any questions or concerns regarding the above, please contact the FOI Officer on [REDACTED] or by email at foi@irishrail.ie

Yours sincerely,

Annette Reilly

Decision Maker

Freedom of Information Request:
 Schedule of Records for **IE_FOI_592**: Summary for Decision Making

Record No.	Date of Record	Brief Description	No. of Pages	Decision: Grant/Part Grant/Refuse	Section of Act if applicable	Record Edited/Identify Deletions
1	21.06.2022	IÉ Fleet Livery	6	Grant		
0	0	IÉ Fleet Livery in Brunel Positive and Negative fonts, Nexus Sans fonts	0	Refuse		Records do not exist

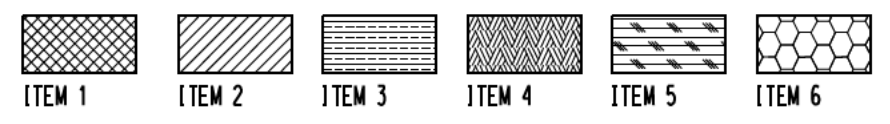
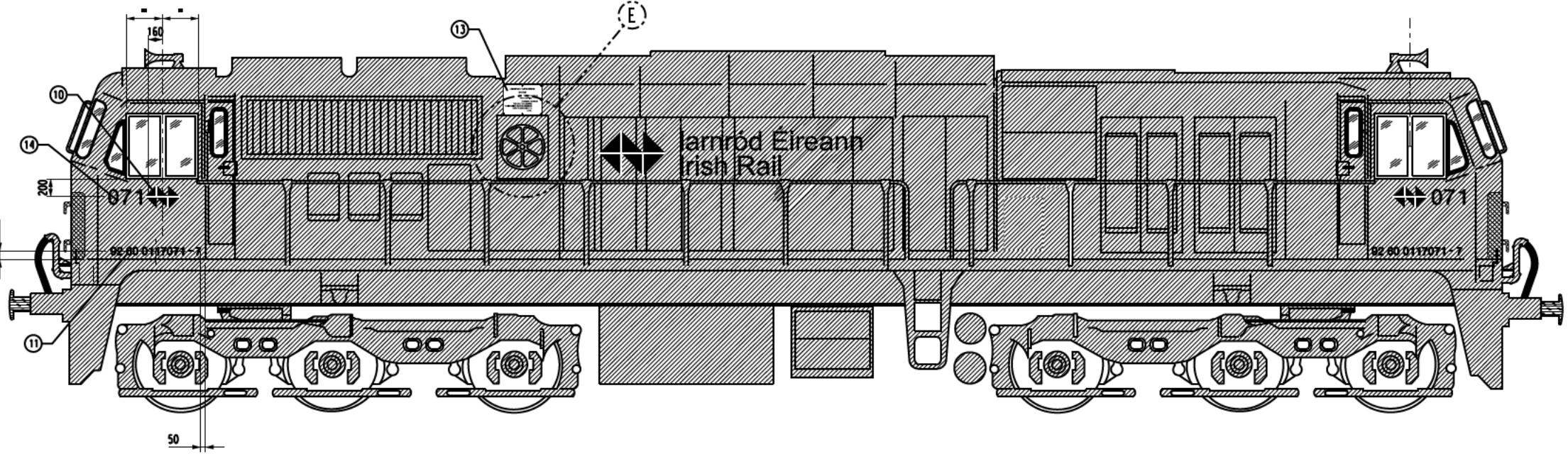
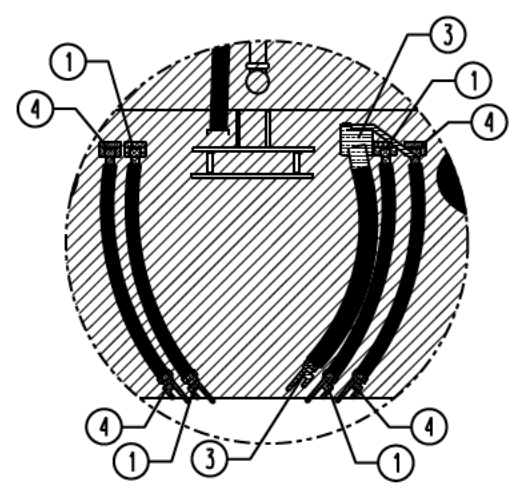
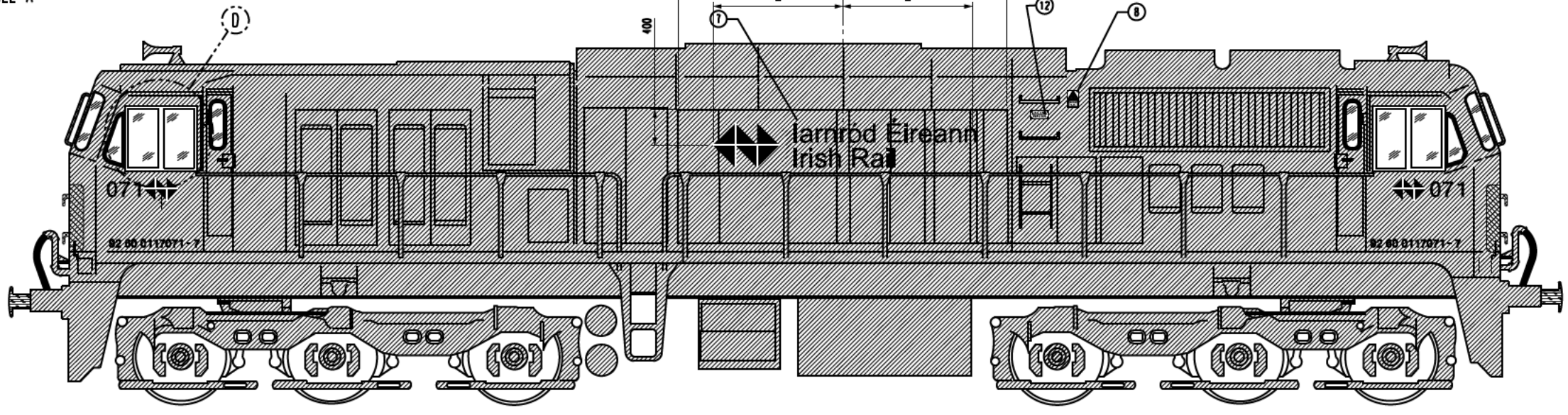
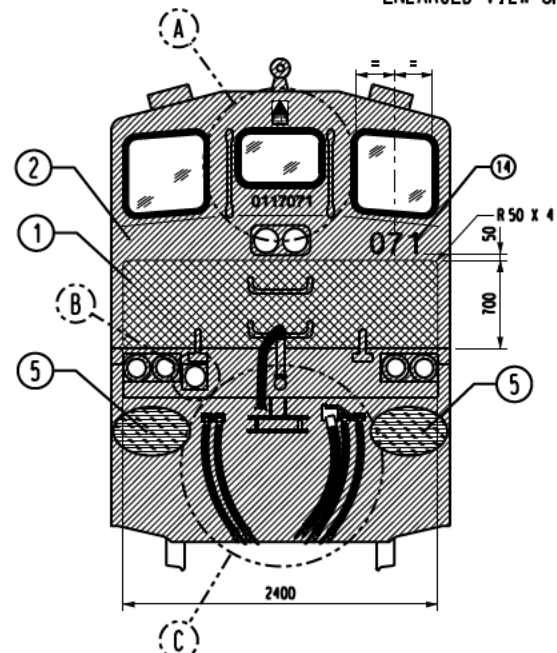
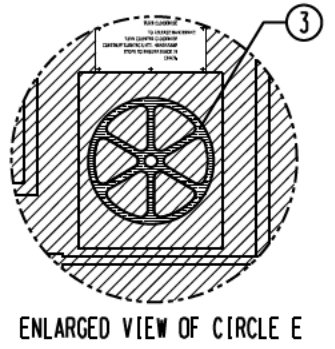
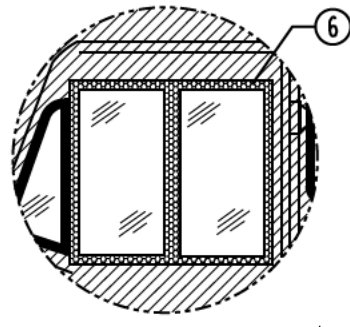
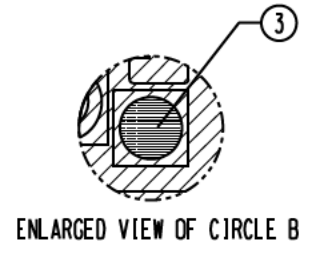
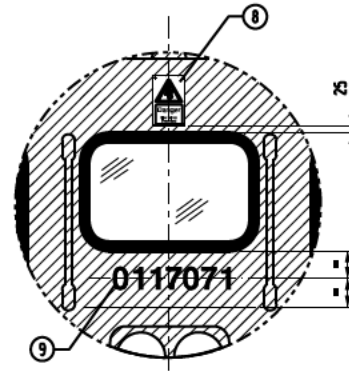
Signed

Freedom of Information / Data Protection Executive

DRAWING NUMBER
11783/005

IF IN DOUBT ASK

ITEM	QTY	DESCRIPTION	MATERIAL SPECIFICATION	SAP CODE	Wt.kg.
1	—	BR WARNING YELLOW	BS 00 E51 (FULL GLOSS)	112608	
2	—	SLATE GREY	RAL 7015 (FULL GLOSS)	124161	
3	—	SIGNAL RED	RAL 3001 (FULL GLOSS)	85743	
4	—	FERM GREEN	NCS 4550-G (FULL GLOSS)	85763	
5	—	TRAFFIC BLACK	RAL 9017 (FULL GLOSS)	66387	
6	—	WHITE ALUMINIUM	RAL 9006 (FULL GLOSS)	112605	
7	2	COMPANY LOGO(LARGE)	555500-922	129492	
8	3	WARNING OVERHEAD LIVE WIRES	555559/032	62631	
9	45 NR	LOCO FRONT NUMERALS	555510/004		
10	4	COMPANY LOGO(SMALL)	555500-923	129493	
11	45 NR	LOCO SIDE NUMERALS	555510/004		
12	1	ENGINE WATER	11700/009	121285	
13	1	HANDBRAKE INSTRUCTIONS	11700/010	121283	
14	45 NR	LARGE NUMERALS	555510-004 ITEM 39 - 47		



This drawing supersedes DRG.11783/001

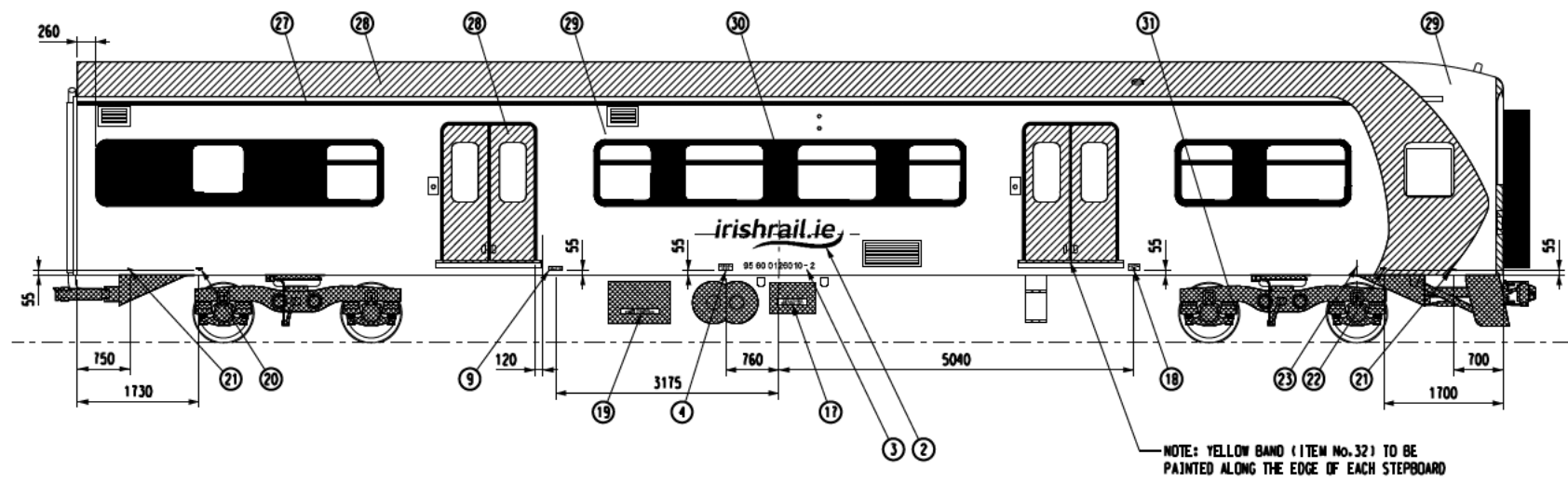
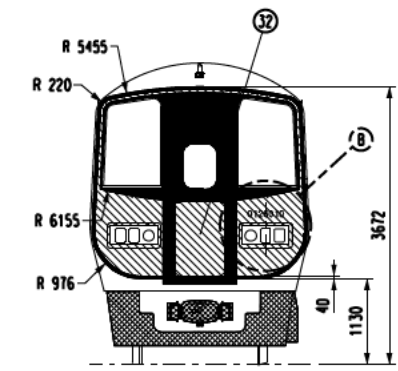
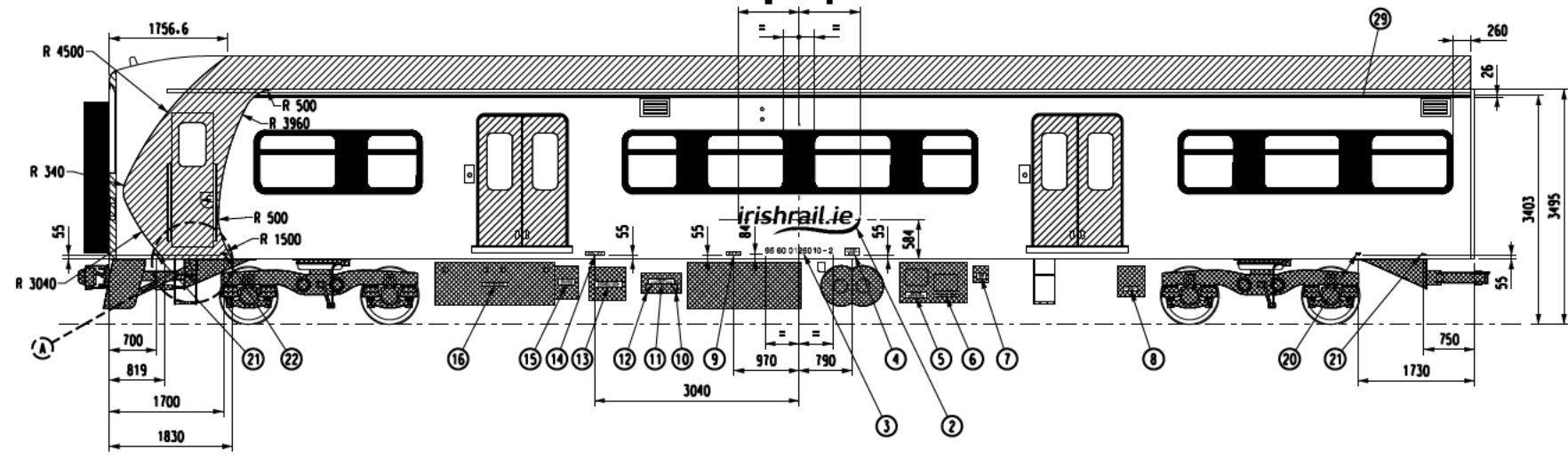
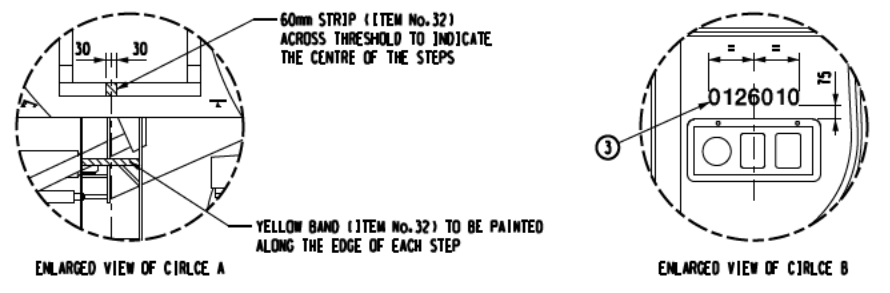
117	071 LOCO	
PREFIX	VEHICLE	Qty.

This drawing is the property of Iarnród Éireann and should not be copied in part or whole and passed on to any third party without written approval from the Chief Mechanical Engineer.

A		LARGE FLEET NUMBERS ADDED. ITEM 7 & 10 WERE OLD LOGO'S.		J.INGHIRE	G.DIFFY	16-10-11	12-008
MOD	DRG/REF	DESCRIPTION		DRWN	C'ED.	DATE	ER No.
		DRAWN	G.DIFFY	TITLE	071 Class Locomotive		
		CHECKED	P.QUINN	SUB TITLE	Miscellaneous		
		AUTHORIZED	J.INGHIRE	SUBJECT	Exterior Painting / Marking		
		DATE	16/1/12				
		SCALE	1:30 1:15				
		SURFACE TEXTURE	By VALUE				
		WELDING TO ISO 2553					
		Iarnród Éireann					
		Irish Rail					
				11783/005			
				SHEET		OF	
				1		1	
				ISSUE No.		2	
				LOCATION		INDEX	
				94		282	

DRAWING NUMBER
20883 - 001

IF IN DOUBT ASK



① LETTERING & LIVERY

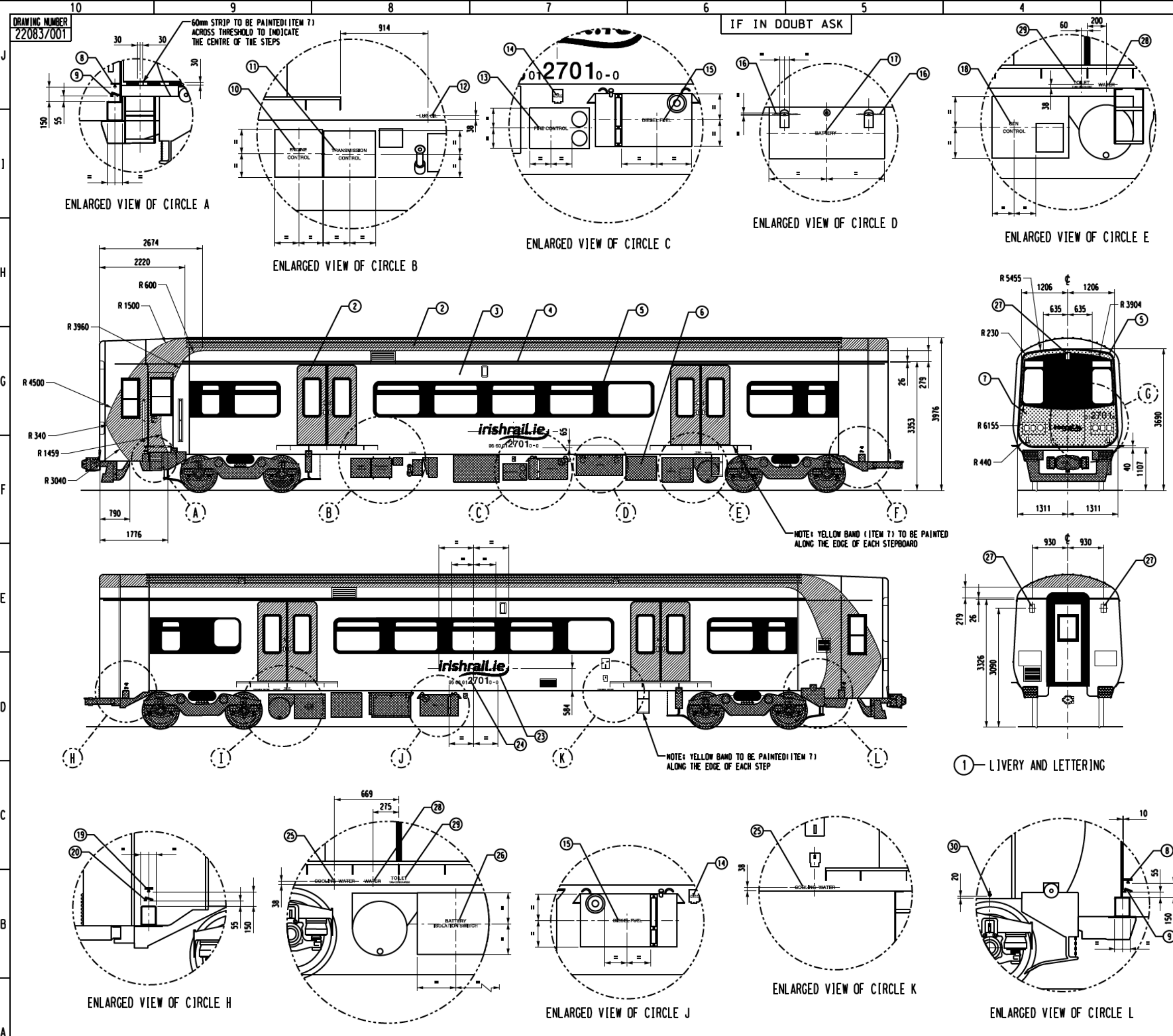
ITEM NO.	QTY	DESCRIPTION	MATERIAL SPEC.	SAP CODE	WT.-kg.
1	—	LIVERY & LETTERING			
2	2	IRISHRAIL .IE DECAL	I.E 553300-1114 LOC/INDEX 66/94	112844	
3	3	VEHICLE I.D NUMBER	I.E 555510-004 LOC/INDEX 3/480	SEE DRAWING	
4	2	DIESEL FUEL DECAL	I.E 520019-004 LOC/INDEX 66/174	121511	
5	1	ENGINE GENERATOR DECAL	I.E 520019-011 LOC/INDEX 66/181	121496	
6	1	CONTROL BOX DECAL	I.E 520019-012 LOC/INDEX 66/182	121499	
7	1	GEN SW DECAL	I.E 520019-013 LOC/INDEX 66/183	121514	
8	1	SWITCH BOX DECAL	I.E 520019-014 LOC/INDEX 66/184	121518	
9	2	WATER DECAL	I.E 520019-010 LOC/INDEX 66/180	121519	
10	1	OPEN-CLOSE DECAL	I.E 520019-015 LOC/INDEX 66/185	121521	
11	1	ENGINE CONTROL BOX DECAL	I.E 520019-009 LOC/INDEX 66/179	121512	
12	1	OPEN-CLOSE DECAL	I.E 520019-015 LOC/INDEX 66/185	121520	
13	1	TORQUE CONV. CONTROL BOX DECAL	I.E 520019-008 LOC/INDEX 66/178	121517	
14	1	LUB. OIL DECAL	I.E 520019-002 LOC/INDEX 66/172	121516	
15	1	BATTERY SWITCH DECAL	I.E 520019-007 LOC/INDEX 66/177	121498	
16	1	BATTERY BOX DECAL	I.E 520019-006 LOC/INDEX 66/176	121497	
17	1	FIRE SYSTEM CONTROL UNIT DECAL	I.E 520019-003 LOC/INDEX 66/173	121513	
18	1	CONV. UNIT DECAL	I.E 520019-001 LOC/INDEX 66/171	121510	
19	1	LOW VOLTAGE DECAL	I.E 520019-005 LOC/INDEX 66/175	121515	
20	2	LIFTING SYMBOL (BLACK)	I.E 555500-810 LOC/INDEX 40/37	80733	
21	4	JACKING SYMBOL (BLACK)	I.E 596900-024 LOC/INDEX 30/258	81290	
22	2	LIFTING SYMBOL (WHITE)	I.E 555500-810 LOC/INDEX 40/37	53654	
23	1	WHEEL No.1 DECAL (BLACK)	I.E 533600-008 LOC/INDEX 40/98	117130	
24	2	ELECTRIFICATION NOTICE PLATE	I.E 555559-032 LOC/INDEX 41/83	53786	
25	1	NUMBER PLATE	SEE TCC Drg. No.B120006166	—	
26	1	MANUFACTURERS NAME PLATE	SEE TCC Drg. No.C120006179	—	
27	—	ORANGE WARNING TAPE	BR 6C ITEM 94	100207	
28	—	PEARL OPAL GREEN	RAL 6036	—	
29	—	WHITE ALUMINIUM	RAL 9006	—	
30	—	JET BLACK	RAL 9005	—	
31	—	TRAFFIC GREY B	RAL 7043	—	
32	—	BR WARNING YELLOW	BS 00 E51	—	

NOTES:
1) ALL DECALS ON UNDER FRAME TO BE APPLIED ON TOP OF OLD ALUMINIUM DECALS IF ILLEGIBLE

== THIS DRAWING SUPERSEDES I.E DRAWING No. 20815 - 001 ==

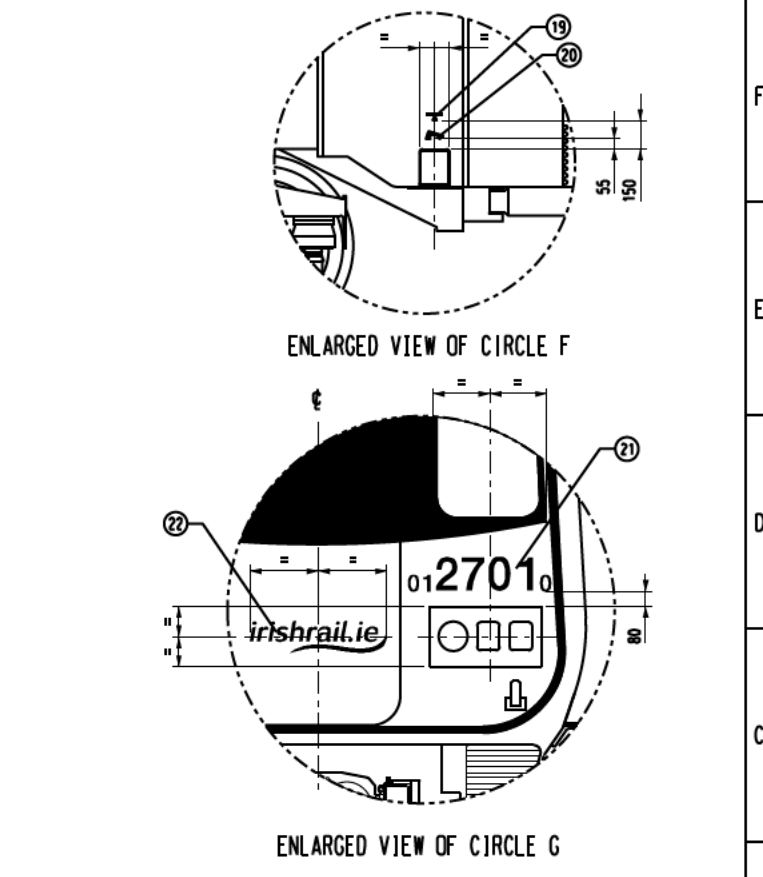
A		SAP Code on Item NO.23 changed from 53660 to 117130		J.Doyle	J.M	25/07/11-0066
MOD	ORIG REF	DESCRIPTION		DRAWN	C'ED.	DATE
		DRAWN	J.DOYLE	TITLE	2600 DC1	ER No.
		CHECKED	G.DUFFY	SUB TITLE	MISCELLANEOUS	DRAWING NUMBER
		AUTHORIZED	G.COSTELLO	SUBJECT	EXTERIOR - PAINTING - MARKING	ER No. 11 - 0066
		DATE	28/07/11	SCALE	1:50 1:20	20883 - 001
		SCALE	1:50 1:20			SHEET OF
						1 1
						ISSUE No. 2
						LOCATION INDEX
						94 218

This drawing is the property of Iarnród Éireann and should not be copied in part or whole and passed on to any third party without written approval from the Chief Mechanical Engineer.



IF IN DOUBT ASK

ITEM	QTY	DESCRIPTION	MATERIAL SPEC.	DMN./CAT.No.
1		LIVERY AND LETTERING		
2		PEARL OPAL GREEN	RAL 6036	
3		WHITE ALUMINIUM	RAL 9006	
4		ORANGE WARNING TAPE BR 6C ITEM94	SAP 100207	
5		JET BLACK	RAL 9005	
6		TRAFFIC GREY B	RAL 7043	
7		BR WARNING YELLOW	BS 00 E51	
8	2	LIFTING SYMBOL (WHITE)	SAP 53654	555500/810 ITEM No.1
9	2	JACKING SYMBOL (WHITE)	SAP 72841	596900/24
10	1	ENGINE CONTROL DECAL	SAP 81209	526500/001 ITEM NO.8
11	1	TRANSMISSION CONTROL DECAL	SAP 81221	526500/001 ITEM NO.10
12	1	LUB OIL DECAL	SAP 81220	526500/001 ITEM NO.9
13	1	FIRE CONTROL DECAL	SAP 81206	526500/001 ITEM NO.5
14	2	FIRE LIFT FLAP DECAL	SAP 81679	526500/004 ITEM NO.1
15	2	DIESEL FUEL DECAL	SAP 81208	526500/001 ITEM NO.7
16	2	OPEN/CLOSED DECAL	SAP 81222	526500/001 ITEM NO.11
17	1	BATTERY DECAL	SAP 81207	526500/001 ITEM NO.6
18	1	GEN CONTROL DECAL	SAP 81678	526500/001 ITEM NO.12
19	2	LIFTING SYMBOL (BLACK)	SAP 80733	555500/810 ITEM No.2
20	2	JACKING SYMBOL (BLACK)	SAP 81290	596900/24 ITEM No.2
21	1	FLEET NUMBER	SAP (SEE DRAWING)	555510-004
22	1	IRISHRAIL.IE DECAL (SMALL)	SAP 112846	553300/1114 ITEM 2
23	1	IRISHRAIL.IE DECAL (LARGE)	SAP 112844	553300/1114 ITEM 1
24	2	VEHICLE ID NUMBER	SAP (SEE DRAWING)	555510-004
25	2	COOLING WATER DECAL	SAP 81203	526500/001 ITEM NO.2
26	1	BATTERY ISOLATION SWITCH DECAL	SAP 81202	526500/001 ITEM NO.1
27	3	ELECTRIFICATION NOTICE PLATE	SAP 62631	555559/32
28	2	WATER DECAL	SAP 81204	526500/001 ITEM NO.3
29	2	TOILET TANK DISCHARGE DECAL	SAP 81205	526500/001 ITEM NO.4
30	1	NO.1 WHEEL DECAL	SAP 53660	533600/8



THIS DRAWING SUPERSEDES DRG.22000-001

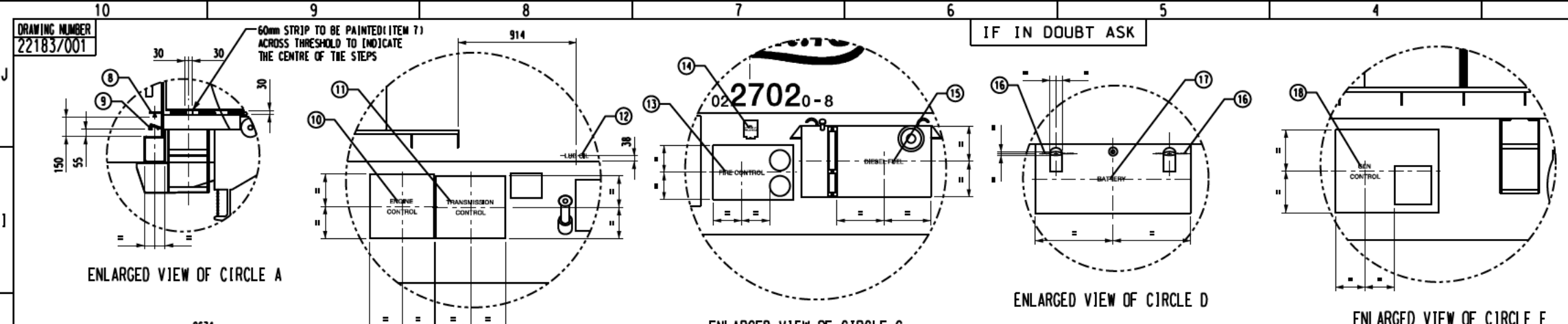
MOD	GRID REF	DESCRIPTION	DRWN	C'D	DATE	ER No.
	B	FRONT END BLACK FACE ADDED.		G.DUFFY	15/3/21	10-0007
	A	POSITION OF 12 DIGIT NUMBER ADDED. ITEM 21 WAS 526500-002		J.MAGUIRE	G.DUFFY-3-10-0-000	
		DESCRIPTION	2700 M1 DMU			10-0007
		CHECKED	J.MAGUIRE	SUB TITLE	MISCELLANEOUS	DRAWING NUMBER
		AUTHORIZED	Signed In	SUBJECT	EXTERIOR PAINTING-MARKING	
		DATE	20/1/10			22083/001
		SCALE	1:50 1:20			SHEET OF
						1 1
						ISSUE No. 3
						LOCATION INDEX
						2 583

EXTERIOR LIVERY AND LETTERING

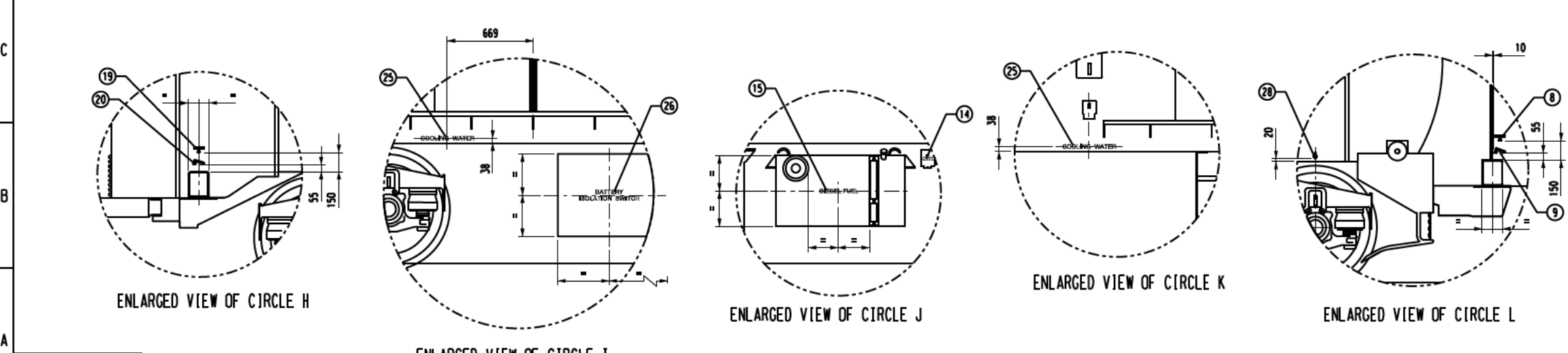
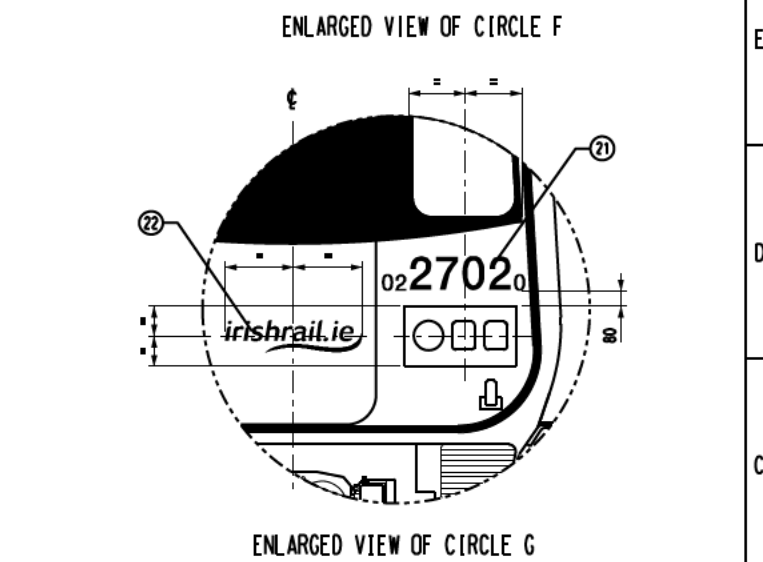
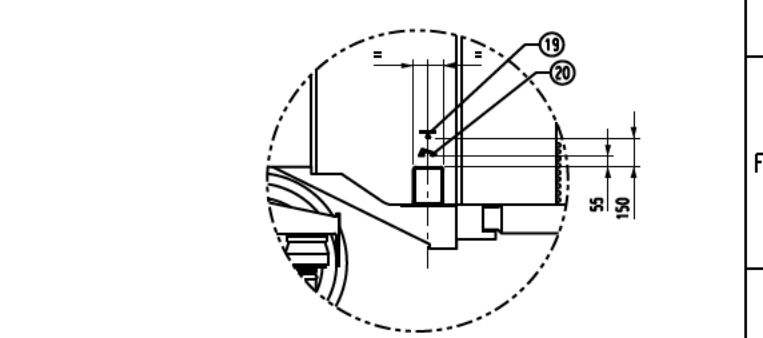
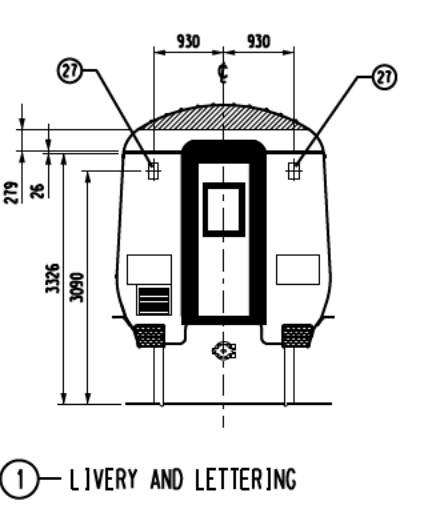
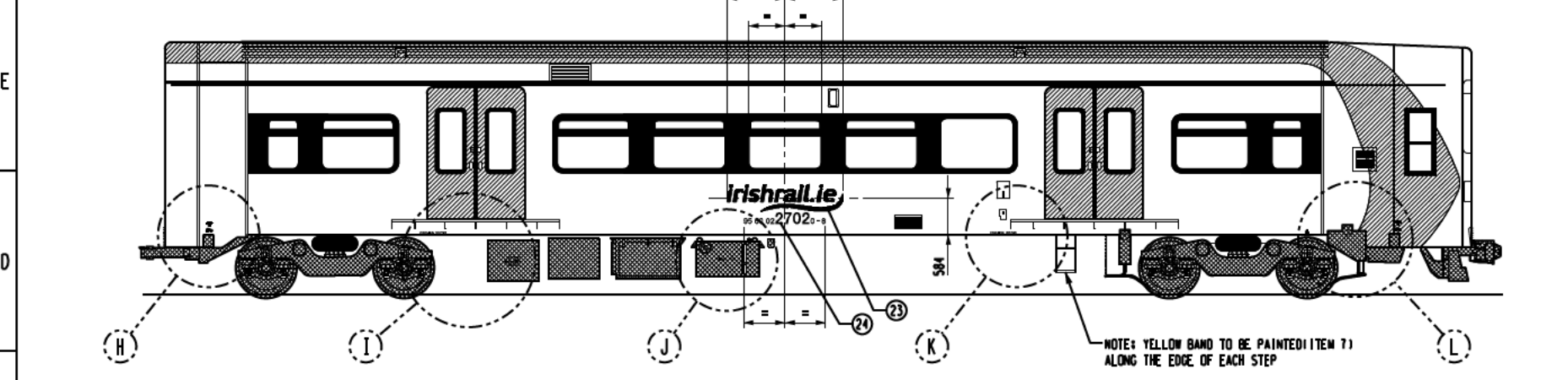
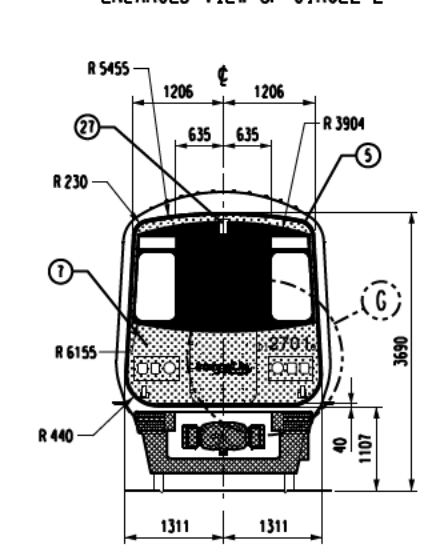
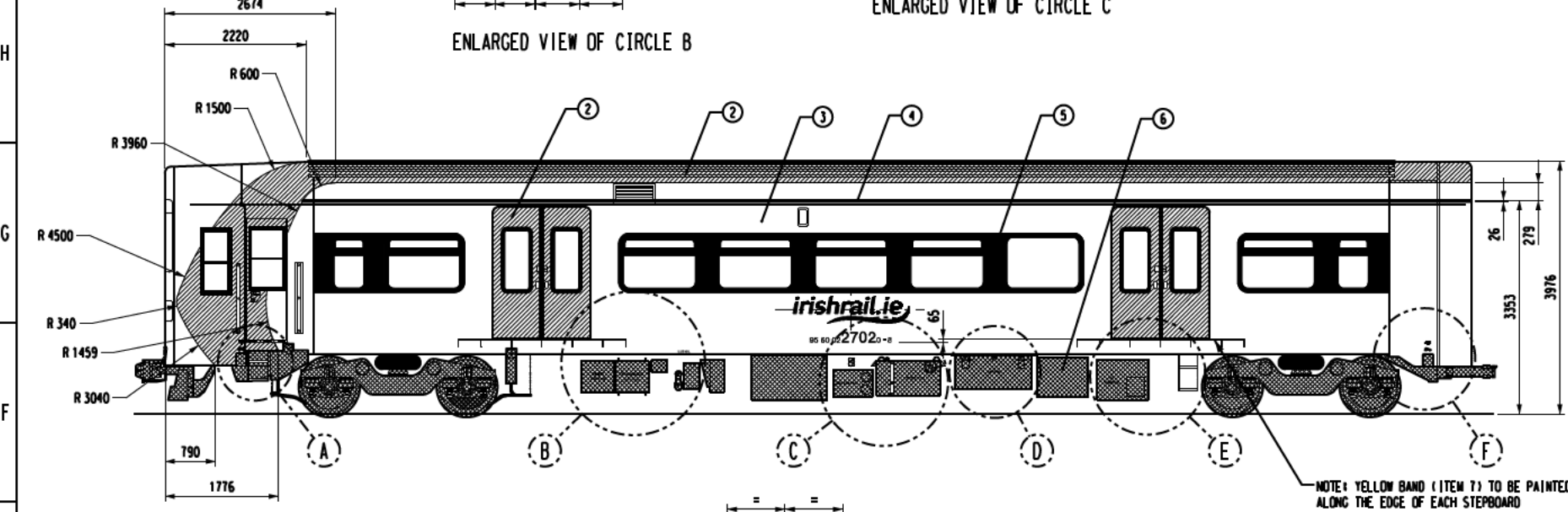
lanród Éireann

220	2700 M1 DMU	
PREFIX	VEHICLE	Qty.

This drawing is the property of Iarnród Éireann and should not be copied in part or whole and passed on to any third party without written approval from the Chief Mechanical Engineer.



ITEM	QTY	DESCRIPTION	MATERIAL SPEC.	DWN./CAT.No.
1	---	LIVERY AND LETTERING		
2	---	PEARL OPAL GREEN	RAL 6036	
3	---	WHITE ALUMINIUM	RAL 9006	
4	---	ORANGE WARNING TAPE BR GC ITEM94	SAP 100207	
5	---	JET BLACK	RAL 9005	
6	---	TRAFFIC GREY B	RAL 7043	
7	---	BR WARNING YELLOW	BS 00 E51	
8	2	LIFTING SYMBOL (WHITE)	SAP 53654	555500/810 ITEM No.1
9	2	JACKING SYMBOL (WHITE)	SAP 72841	596900/24
10	1	ENGINE CONTROL DECAL	SAP 81209	526500/001 ITEM NO.8
11	1	TRANSMISSION CONTROL DECAL	SAP 81221	526500/001 ITEM NO.10
12	1	LUB OIL DECAL	SAP 81220	526500/001 ITEM NO.9
13	1	FIRE CONTROL DECAL	SAP 81206	526500/001 ITEM NO.5
14	2	FIRE LIFT FLAP DECAL	SAP 81679	526500/004 ITEM NO.1
15	2	DIESEL FUEL DECAL	SAP 81208	526500/001 ITEM NO.7
16	2	OPEN/CLOSED DECAL	SAP 81222	526500/001 ITEM NO.11
17	1	BATTERY DECAL	SAP 81207	526500/001 ITEM NO.6
18	1	GEN CONTROL DECAL	SAP 81678	526500/001 ITEM NO.12
19	2	LIFTING SYMBOL (BLACK)	SAP 80733	555500/810 ITEM No.2
20	2	JACKING SYMBOL (BLACK)	SAP 81290	596900/24 ITEM No.2
21	1	FLEET NUMBER (LARGE)	SAP (SEE DRAWING)	555510-004
22	1	IRISHRAIL.IE DECAL (SMALL)	SAP 112846	553300/1114 ITEM 2
23	1	IRISHRAIL.IE DECAL (LARGE)	SAP 112844	553300/1114 ITEM 1
24	2	VEHICLE ID NUMBER	SAP (SEE DRAWING)	555510-004
25	2	COOLING WATER DECAL	SAP 81203	526500/001 ITEM NO.2
26	1	BATTERY ISOLATION SWITCH DECAL	SAP 81202	526500/001 ITEM NO.1
27	3	ELECTRIFICATION NOTICE PLATE	SAP 62631	555559/32
28	1	No.1 WHEEL DECAL	SAP 53660	533600/8



THIS DRAWING SUPERSEDES DRG.22100-001

MOD	GRID REF	DESCRIPTION	DATE	SCALE	DRWN	C'D	DATE	ER No.
	B	FRONT END BLACK FACE ADDED.	20/1/10	1:50 1:20	J.MOY	G.DUFFY	10-0007	
	A	POSITION OF 12 DIGIT NUMBER ADDED. ITEM 21 WAS 526500-002	20/1/10	1:50 1:20	J.MOY	G.DUFFY	10-0007	
		DESCRIPTION	DATE	SCALE	DRWN	C'D <td>DATE <td>ER No.</td> </td>	DATE <td>ER No.</td>	ER No.
		2700 M2 DMU	20/1/10	1:50 1:20	J.MOY	G.DUFFY	10-0007	
		MISCELLANEOUS			J.MOY	G.DUFFY	10-0007	
		EXTERIOR PAINTING-MARKING			J.MOY	G.DUFFY	10-0007	
		EXTERIOR LIVERY AND LETTERING			J.MOY	G.DUFFY	10-0007	

22183/001

SHEET 1 OF 1

ISSUE No. 3

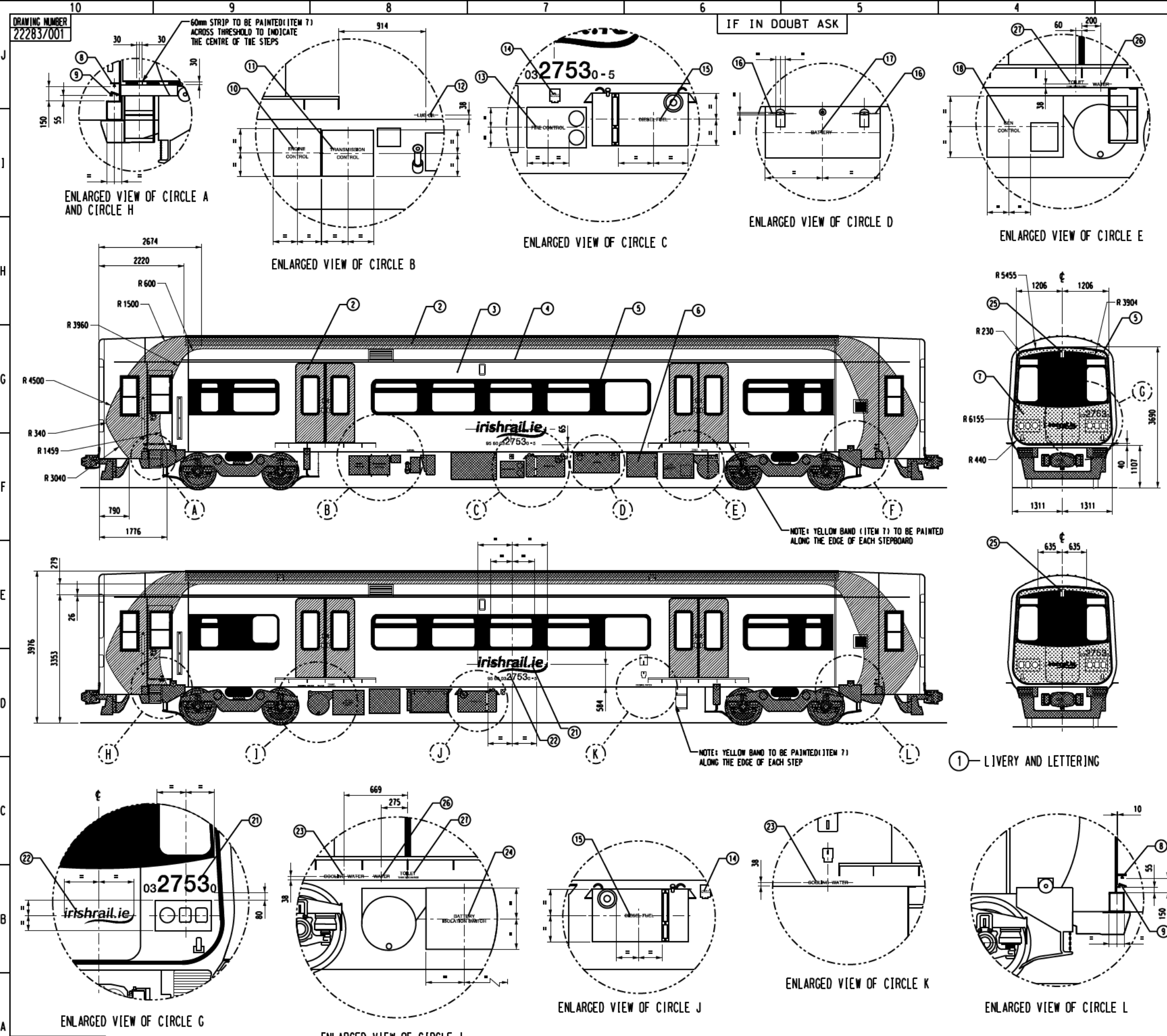
LOCATION INDEX

2 584

221 2700 M2 DMU

PREFIX VEHICLE VEH. QTY.

This drawing is the property of Iarnród Éireann and should not be copied in part or whole and passed on to any third party without written approval from the Chief Mechanical Engineer.



ITEM	QTY	DESCRIPTION	MATERIAL SPEC.	DMN./CAT.No.
1	---	LIVERY AND LETTERING		
2	---	PEARL OPAL GREEN	RAL 6036	
3	---	WHITE ALUMINIUM	RAL 9006	
4	---	ORANGE WARNING TAPE BR 6C ITEM94	SAP 100207	
5	---	JET BLACK	RAL 9005	
6	---	TRAFFIC GREY B	RAL 7043	
7	---	BR WARNING YELLOW	BS 00 E51	
8	4	LIFTING SYMBOL (WHITE)	SAP 53654	555500/810 ITEM No.1
9	4	JACKING SYMBOL (WHITE)	SAP 72841	596900/24
10	1	ENGINE CONTROL DECAL	SAP 81209	526500/001 ITEM NO.8
11	1	TRANSMISSION CONTROL DECAL	SAP 81221	526500/001 ITEM NO.10
12	1	LUB OIL DECAL	SAP 81220	526500/001 ITEM NO.9
13	1	FIRE CONTROL DECAL	SAP 81206	526500/001 ITEM NO.5
14	2	FIRE LIFT FLAP DECAL	SAP 81679	526500/004 ITEM NO.1
15	2	DIESEL FUEL DECAL	SAP 81208	526500/001 ITEM NO.7
16	2	OPEN/CLOSED DECAL	SAP 81222	526500/001 ITEM NO.11
17	1	BATTERY DECAL	SAP 81207	526500/001 ITEM NO.6
18	1	GEN CONTROL DECAL	SAP 81678	526500/001 ITEM NO.12
19	1	FLEET NUMBER (LARGE)	SAP (SEE DRAWING)	555510-004
20	2	IRISHRAIL.IE DECAL (SMALL)	SAP 112846	553300/1114 ITEM 2
21	2	IRISHRAIL.IE DECAL (LARGE)	SAP 112844	553300/1114 ITEM 1
22	2	VEHICLE ID NUMBER	SAP (SEE DRAWING)	555510-004
23	2	COOLING WATER DECAL	SAP 81203	526500/001 ITEM NO.2
24	1	BATTERY ISOLATION SWITCH DECAL	SAP 81202	526500/001 ITEM NO.1
25	2	ELECTRIFICATION NOTICE PLATE	SAP 53786	555559/32
26	2	WATER DECAL	SAP 81204	526500/001 ITEM NO.3
27	2	TOILET TANK DISCHARGE DECAL	SAP 81205	526500/001 ITEM NO.4
28	1	No.1 WHEEL DECAL	SAP 53660	533600/8

Enlarged View of Circle F

Enlarged View of Circle G

Enlarged View of Circle H

Enlarged View of Circle I

Enlarged View of Circle J

Enlarged View of Circle K

Enlarged View of Circle L

① - LIVERY AND LETTERING

THIS DRAWING SUPERSEDES DRG.22200-001

MOD	DR10 REF	DESCRIPTION	DRWN	C'D	DATE	ER No.
		FRONT END BLACK FACE ADDED.	G.DUFFY	J.MOYNE	15/3/10	10-0007
		POSITION OF 12 DIGIT NUMBER ADDED. ITEM 21 WAS 553300/1114	J.MOYNE	G.DUFFY	15/3/10	10-0007
		DESCRIPTION	DRWN	C'D <td>DATE</td> <td>ER No.</td>	DATE	ER No.
		2700 BI-CAB DMU	G.DUFFY	J.MOYNE	20/1/10	10-0007
		SUB TITLE	MISCELLANEOUS			
		SUBJECT	EXTERIOR PAINTING-MARKING			
		DATE	20/1/10			
		SCALE	1:50 1:20			
		SURFACE TEXTURE	As VALUE			
		RELING TO ISO 2553				

EXTERIOR LIVERY AND LETTERING

22283/001

SHEET 1 OF 1

ISSUE No. 3

LOCATION INDEX

2 585

lanród Éireann

222 2700 BI-CAB

PREFIX VEHICLE Veh. No. 2700

22283/001

This drawing is the property of Iarnród Éireann and should not be copied in part or whole and passed on to any third party without written approval from the Chief Mechanical Engineer.