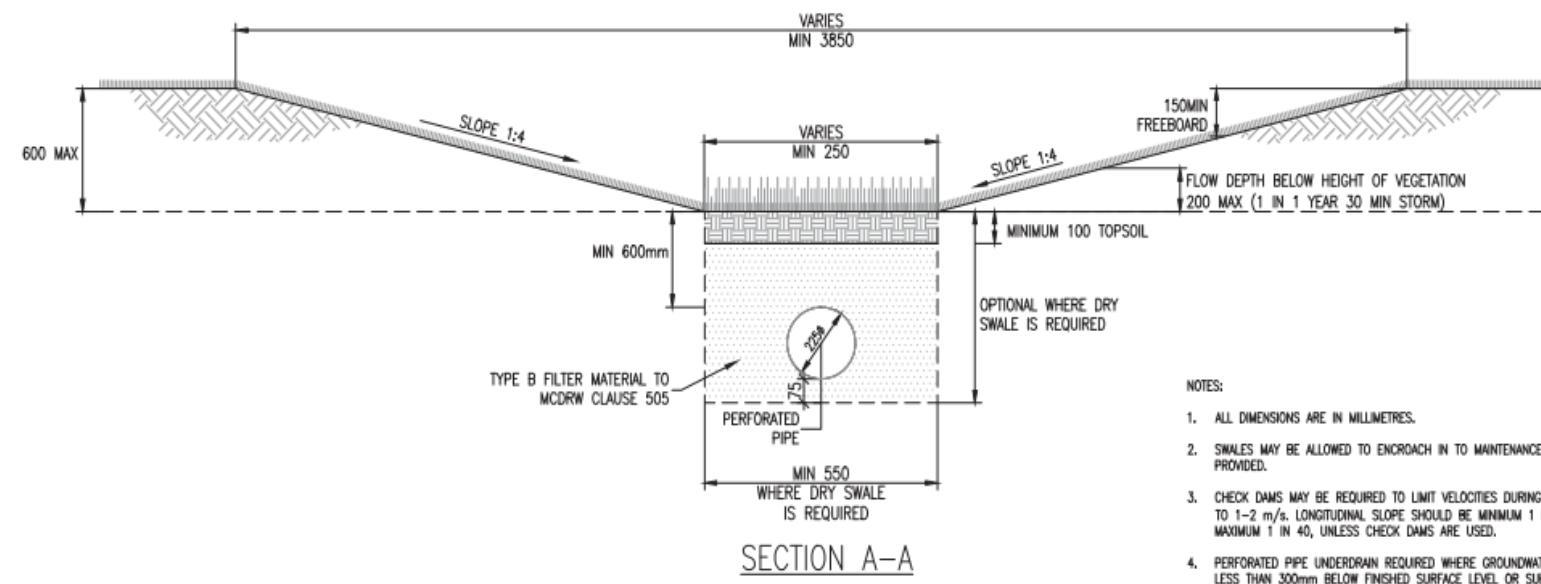
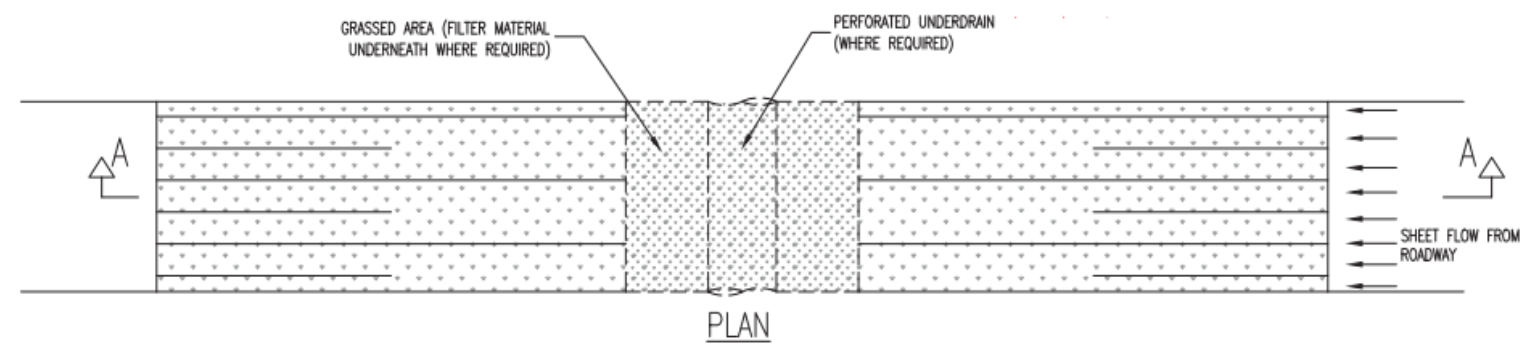
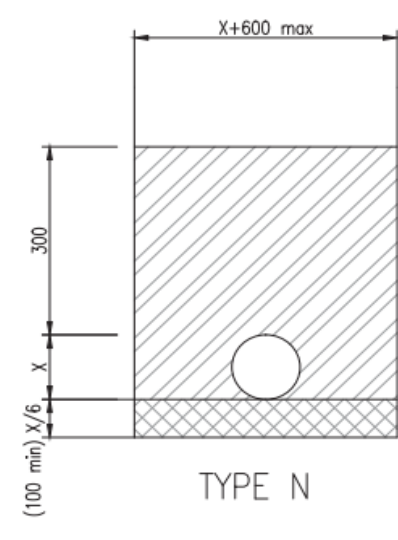
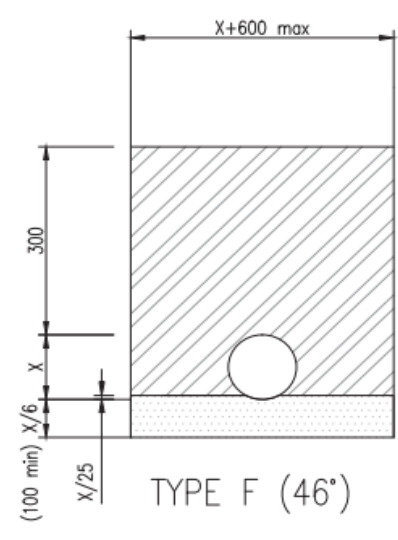
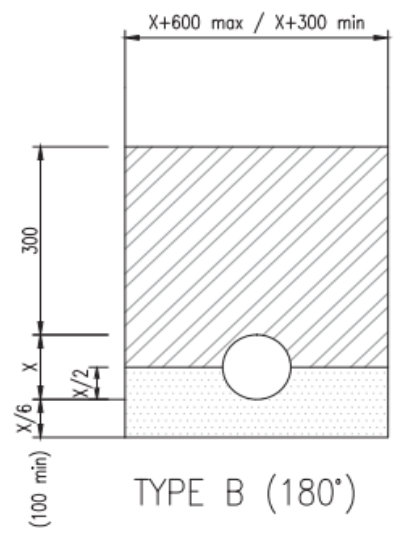


# FIGURE 10E TYPICAL DRAINAGE DETAIL

- NOTES:
1. ALL DIMENSIONS ARE IN MILLIMETRES UNLESS OTHERWISE STATED
  2. TYPICAL DETAILS SHOWN ONLY; FOR FURTHER DETAILS REFER TO TII STANDARD DETAILS
  3. DO NOT SCALE FROM THIS DRAWING



- NOTES:
1. ALL DIMENSIONS ARE IN MILLIMETRES.
  2. SWALES MAY BE ALLOWED TO ENCRoACH IN TO MAINTENANCE STRIP WHERE PROVIDED.
  3. CHECK DAMS MAY BE REQUIRED TO LIMIT VELOCITIES DURING EXTREME EVENTS TO 1-2 m/s. LONGITUDINAL SLOPE SHOULD BE MINIMUM 1 IN 300 AND MAXIMUM 1 IN 40, UNLESS CHECK DAMS ARE USED.
  4. PERFORATED PIPE UNDERDRAIN REQUIRED WHERE GROUNDWATER LEVELS ARE LESS THAN 300mm BELOW FINISHED SURFACE LEVEL OR SUB-FORMATION LEVEL WHERE CAPPING IS PRESENT.
  5. THE DEPTH TO THE OVERTOP OF THE PERFORATED PIPE MUST BE EITHER THE GREATER OF 100MM MINIMUM BELOW BASE OF CAPPING LAYER OR 600mm BELOW FINISHED SURFACE LEVEL.



- NOTES:
1. ALL DIMENSIONS ARE IN MILLIMETRES.
  2. DIMENSION X IS THE EXTERNAL DIAMETER OF THE PIPE.
  3. THE MINIMUM AND MAXIMUM WIDTH OF THE TRENCH APPLIES ON AND BELOW A LINE 300mm ABOVE THE OUTSIDE TOP OF THE PIPE. ABOVE THE 300mm LINE THE TRENCH BACKFILL MATERIAL SHALL BE AS DESCRIBED IN CLAUSE 505.2 OF MCDRW
  4. THE CONCRETE BED OR SURROUND MAY EXTEND TO THE SIDES OF THE TRENCH OR BE OF MINIMUM WIDTH. MATERIAL TO CLAUSE 503.3(iii) IS TO BE USED TO FILL ANY VOIDS SO FORMED.
  5. FOR TYPE Z TRENCH THE CONCRETE COVER MAY BE FORMED TO A RADIUS BATTER OR HORIZONTAL SURFACE. MINIMUM COVER OF CONCRETE SHALL BE 150.

- KEY:
- CLAUSE 503 COARSE AND LIGHT WEIGHT AGGREGATE TO TABLE 5/3 OF MCDRW SERIES 500
  - ST4 CONCRETE TO MCDRW CLAUSE 2602
  - CLAUSE 503 FINE AND ALL-IN AGGREGATE TO TABLE 5/4 MCDRW SERIES 500
  - CLASS 1 OR 2 MATERIAL TO MCDRW CLAUSE 503.3 (iii)

Rev	By	Date	Description
0	AB	APR 21	FINAL

Project:	CORK LINE LEVEL CROSSINGS		
Component:	RAILWAY ORDER SCHEDULE DRAWING		
Title:	TYPICAL DRAINAGE DETAIL		
Designed:	File Name:	Drawing No.	
Drawn:	Original scales:		
Checked:	Date:	APR 2021	